

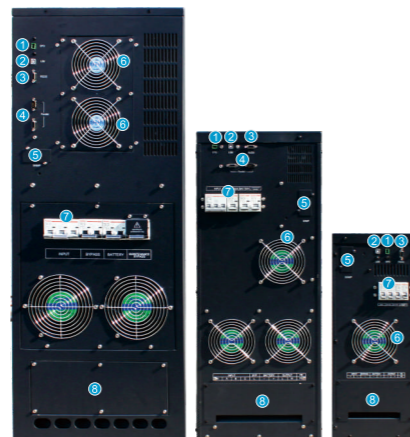
EA800

6 kVA ~ 10 kVA (1:1)
 10 kVA ~ 30 kVA (3:1)
 PF 0.8



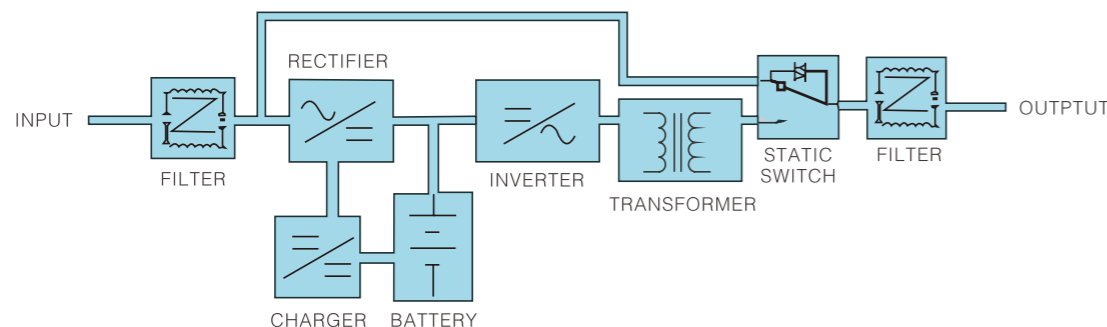
Features

- Single / single-phase, three / single-phase models with on-line double conversion technology
- DSP (Digital Signal Processors) technology
- Suitable for all kinds of loads (resistive, inductive and non-linear loads etc)
- High overload capability (up to 150%)
- Bypass dual DSP control design to enhance more reliability
- Supports dual input, hot standby in series
- Redundant & paralleable with advanced parallel current-sharing control technology
- Cold start and mains start function
- High charging capability: 2 A / 4 A / 6 A / 8 A / 10 A / 12 A selectable (standard), 14 A / 16 A / 18 A / 20 A / 22 A / 24 A selectable (options)
- Standard configuration with output isolation transformer
- Superior protection (surgers, short-circuit, overvoltages, undervoltages, overcharge, reverse connection protection etc)
- Advanced communications (RS232 and USB ports (standard), SNMP, dry contacts and RS485 (options))
- Other options (parallel kits, input isolation transformer, bypass isolation transformer and harmonic suppressor)



Rear Panel

1. EPO
2. USB
3. RS232
4. Parallel port
5. SNMP (optional)
6. Fan
7. Breaker
8. Terminal



Specifications

MODEL	EA806 (1:1)	EA810 (1:1)	EA810 (3:1)	EA815 (3:1)	EA820 (3:1)	EA830 (3:1)
Capacity	6 kVA 4800 W	10 kVA 8 kW	10 kVA 8 kW	15 kVA 12 kW	20 kVA 16 kW	30 kVA 24 kW
INPUT						
Rated voltage	220 / 230 / 240 Vac (1 φ + N + PE)		380 / 400 / 415 Vac (3 φ + N + PE)			
Voltage range	165 ~ 275 Vac		285 ~ 475 Vac			
Rated frequency	50 Hz / 60 Hz					
Frequency range	40 ~ 70 Hz					
Frequency tracking range	± 5% Hz					
BYPASS						
Rated voltage	220 / 230 / 240 Vac (1 φ + N + PE)					
Overload	Load current < 150% rated current: long time running, 150% ≤ load current < 200% for 1 min, 200% rated current ≤ load current for 200 ms					
BATTERIES						
Battery voltage	192 Vdc					
Battery type	VRLA AGM maintenance-free lead based					
Number of battery	12 V × 16 pcs					
Charging voltage	216 Vdc					
EOD	168 Vdc					
Charging current	Default 8 A (2 A / 4 A / 6 A / 8 A / 10 A / 12 A selectable)					
OUTPUT						
Rated voltage	220 / 230 / 240 (1 φ + N + PE)					
Power factor	0.8					
Waveform	Sinusoidal					
Rated frequency	50 Hz / 60 Hz (settable)					
Frequency precision	Mains mode: track bypass input in the state of synchronization Battery mode: 50 / 60 ± 0.1 Hz					
Voltage precision	± 1%					
Recovery time of transient voltage	< 20 ms					
Crest factor	3:1					
THDV	≤ 3% (linear load); ≤ 6% (non-linear load)					
Overload	Load ≤ 105%: long time running, 105% < load ≤ 125% for 10 min, 125% < load ≤ 150% for 1 min, 150% < load ≤ 200% for 200 ms, 200% < load for 100 ms					
OTHERS						
Transfer time	0 ms					
Protections	Short-circuit - overload - overvoltage - undervoltage - low battery - overtemperature					
Communications	RS232 / USB (standard); RS485 / SNMP / dry contacts (optional)					
Operating temperature	0 ~ 40°C					
Storage temperature	- 25°C ~ 55°C (without batteries);					
Relative humidity	0 ~ 95% (non-condensing)					
Operating altitude	≤ 1000 m (derating 1% for each additional 100 m)					
Noise level	< 60 dB (at 1 m)					
MTBF	MTBF > 200000 h					
MTTR	MTTR < 0.5 h					
IP rating	IP 20					
Dimensions (W × D × H) (mm)	210 × 585 × 590	310 × 600 × 880		400 × 815 × 1100		
Packaged dimensions (W × D × H) (mm)	328 × 716 × 805	430 × 710 × 1080		525 × 925 × 1305		
Net weight (kg)	54	96	130	201	230	277
Gross weight (kg)	64	108	142	216	245	292

- All specifications subject to change without notice.
- Custom-made specifications are acceptable.